



NewPipe

at 34c3

CHRISTIAN SCHABESBERGER

Schabi

github.com/TeamNewPipe



- 1. Recap**
- 2. Architecture**
- 3. Roadmap**
- 4. How can I Help**
- 5. Q & A**



Recap of last year



Recap of last Year

19. February:

- Decent Channel support

PewDiePie

- 2017 REVIEW!**
PewDiePie
vor 54 Minuten • 221T views
- JAPANESE SHIA LABEOUF - YLYL #0014**
PewDiePie
vor 23 Stunden • 2M views
- RICK AND MORTY IS DEEP!**
PewDiePie
vor 1 Tag • 1M views
- NET NEUTRALITY MEMES [MEME REVIEW] 🍌🍌 #4**
PewDiePie
vor 1 Tag • 3M views
- This hit me out of nowhere... - Finding Paradise - #5 ENDING, FINAL**

Recap of last Year

19. February:

- Decent Channel support

9. March – 2. April:

- New UI for ExoPlayer
by **Mauricio Colli**
- ExoPlayer the default Player



Recap of last Year

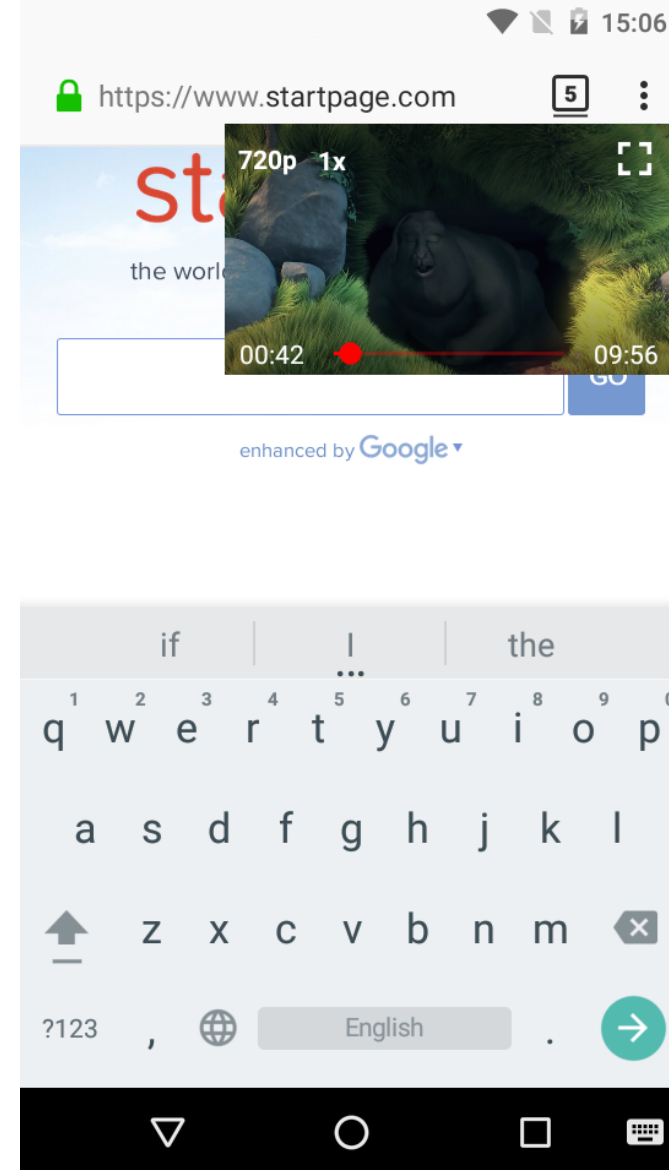
19. February:

- Decent Channel support

9. March – 2. April:

- New UI for ExoPlayer
Colli
- ExoPlayer the default Player
- Popup player by **Mauricio Colli**

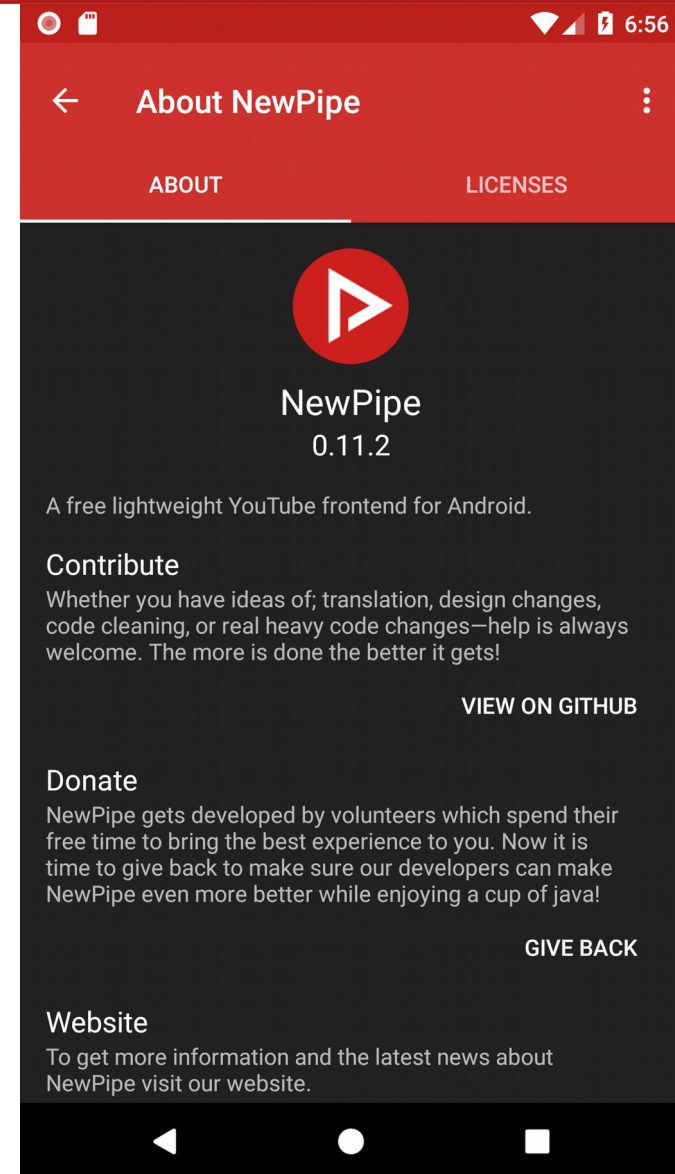
by **Mauricio**



Recap of last Year

15. July:

- New About Page by **Tobias Groza**



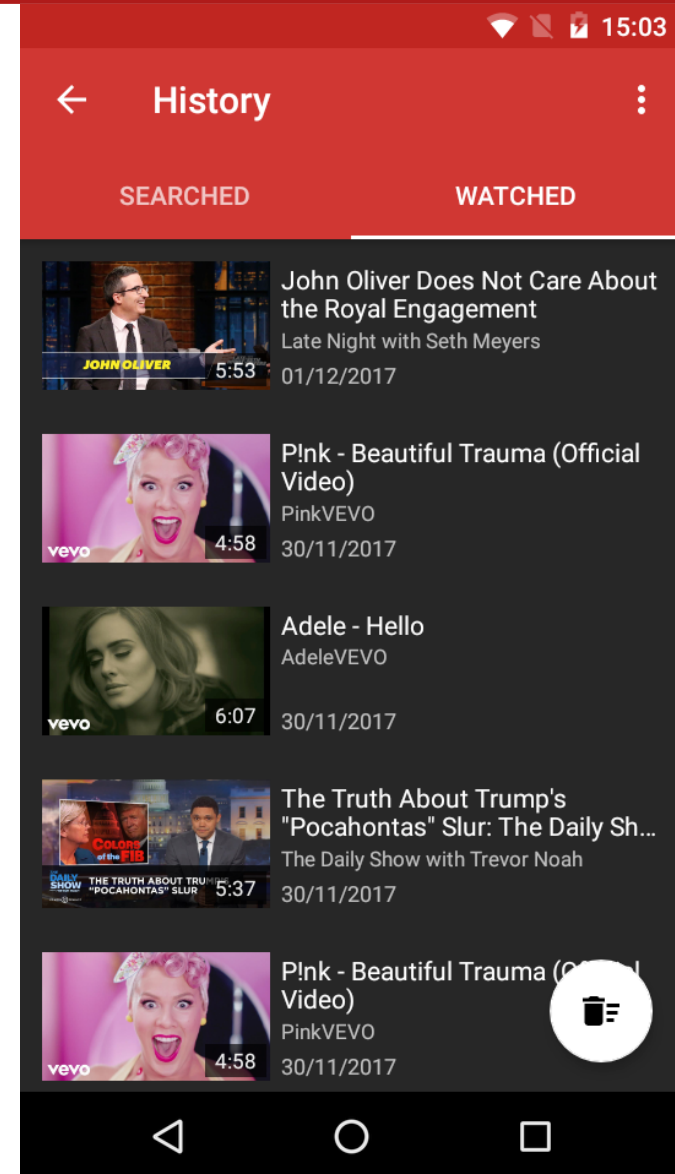
Recap of last Year

15. July:

- New About Page by **Tobias Groza**

12. August:

- Search and watch history by **Cyril Müller**



Recap of last Year

18. September:

Huge UI rework **Mauricio Colli**

- Rebuild UI based on JavaRX



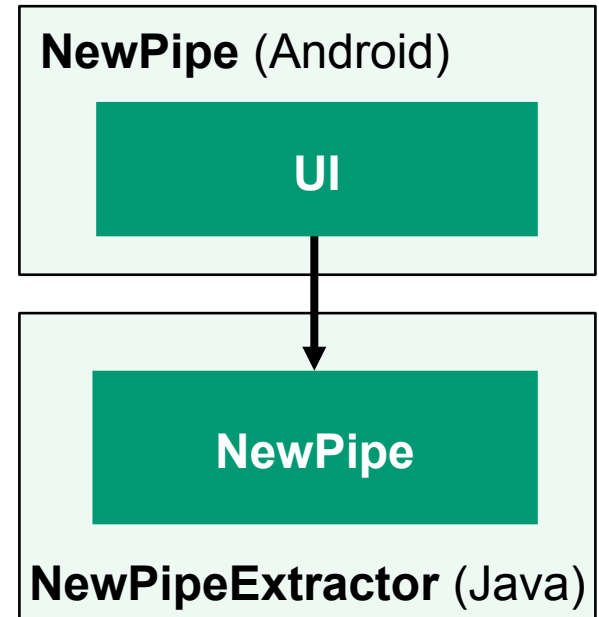
ReactiveX

Recap of last Year

18. September:

Huge UI rework **Mauricio Colli**

- Rebuild UI based on JavaRX
- Full Separation of the Extractor



Recap of last Year

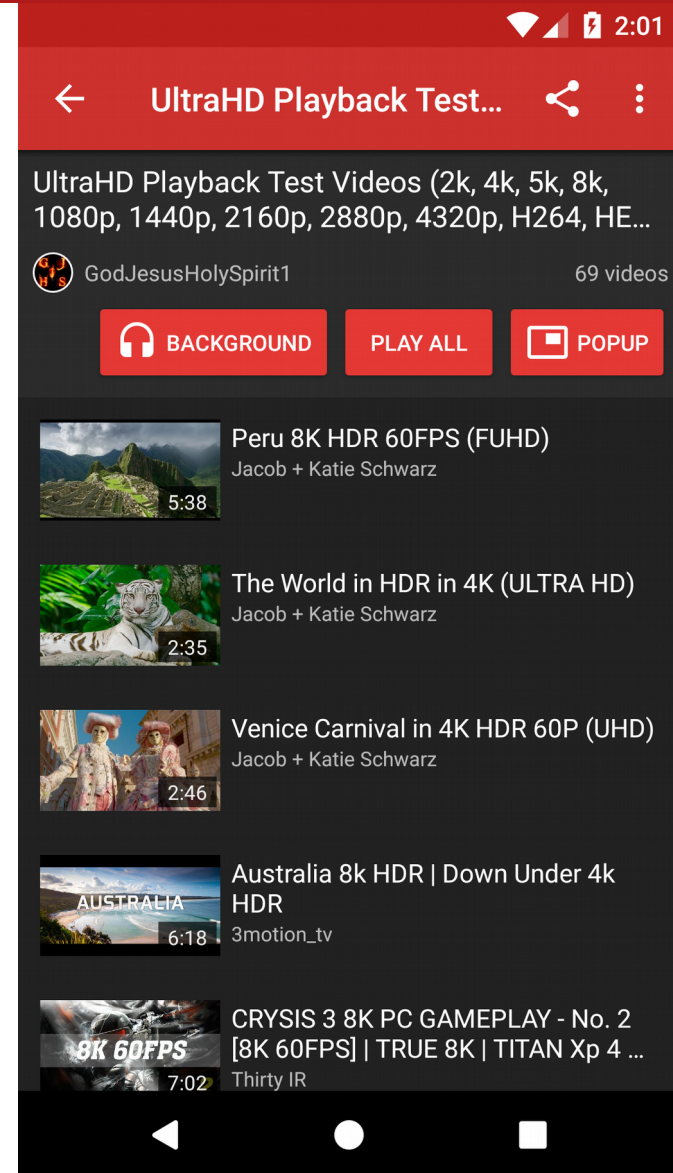
18. September:

Huge UI rework **Mauricio Colli**

- Rebuild UI based on JavaRX
- Full Separation of the Extractor

5. November:

- Full playlist support by **John Zhen Mo**



Recap of last Year

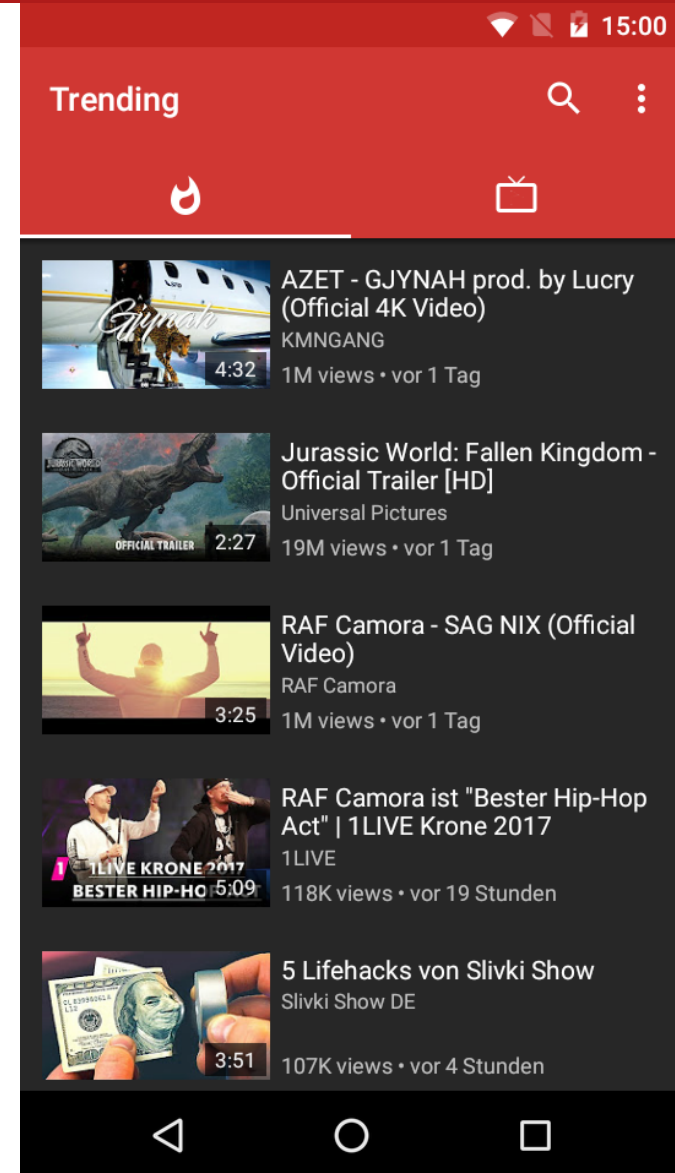
18. September:

Huge UI rework **Mauricio Colli**

- Rebuild UI based on JavaRX
- Full Separation of the Extractor

5. November:

- Full playlist support by **John Zhen Mo**
- Support for trending by **Schabi**



Recap of last Year

Also this year:

- New Website and Blog by **Tobias Groza** and **TheAssassin**



Blog Press GitHub Releases Issues

NewPipe

the lightweight YouTube experience for Android

GET IT ON F-Droid

Do you like watching videos on YouTube but looking for a simple app to do that?

NewPipe has been created with the purpose of getting the original YouTube experience on your smartphone without annoying ads and questionable permissions.

The application is Open Source and you can check on it at [GitHub](#).

Main Features

NewPipe Blog Home Blog Press GitHub Releases Issues

NewPipe talk during FSFE Assembly on 34C3

18 Dec 2017, by TheAssassin

In December, the annual **Chaos Communication Congress** will take place. This is the 34th time hackers from all around the world meet and attend the largest hacker convention in Europe.

Like last year Christian Schabesberger, the initial author and primary maintainer of NewPipe will talk about the development progress of this year, and the roadmap of the next year. This time, we hope that there will be a camera so that a video of the talk can be shot.

So, if you happen to attend the 34C3 event, please visit the talk during the first...

[Read more...](#)

talk | pinned

Team NewPipe start blog

18 Dec 2017, by TheAssassin

After two years of development, we decided to keep you up a little better about what we do. Therefore, today, we introduce our new blog, which will be used to announce releases, changes, and keep you up with all the cool stuff we work on.

Since we started this blog only recently, we haven't decided on how to use it, and whether we consider publishing third-party posts. Therefore, feel free to contact us with ideas and/or texts. See [this page](#) for information how to get in touch with us.

Special thanks goes to Tobias...

[Read more...](#)

announcement | pinned

Current

All posts

Also interesting

NewPipe at 34C3

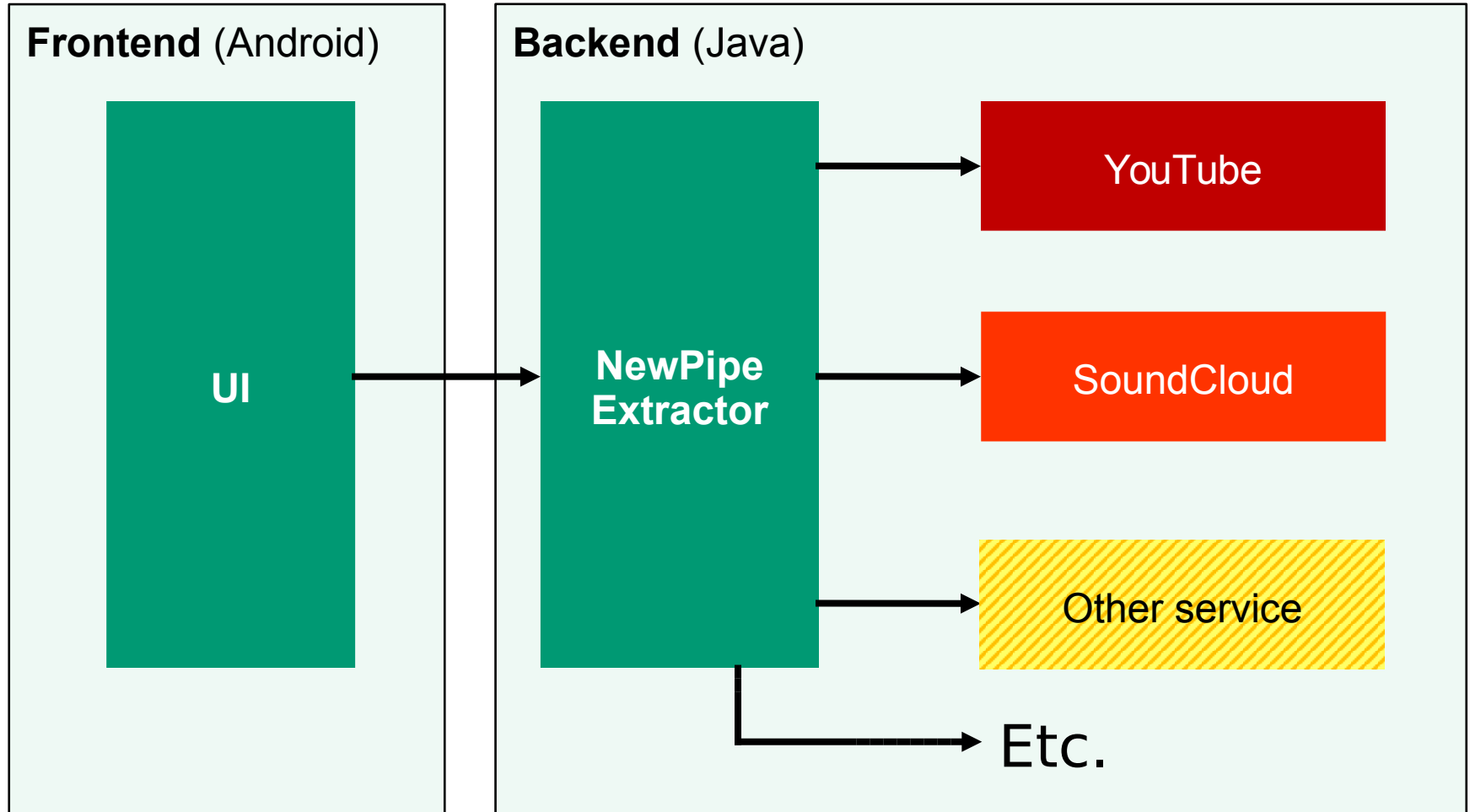
Team NewPipe start blog

Search

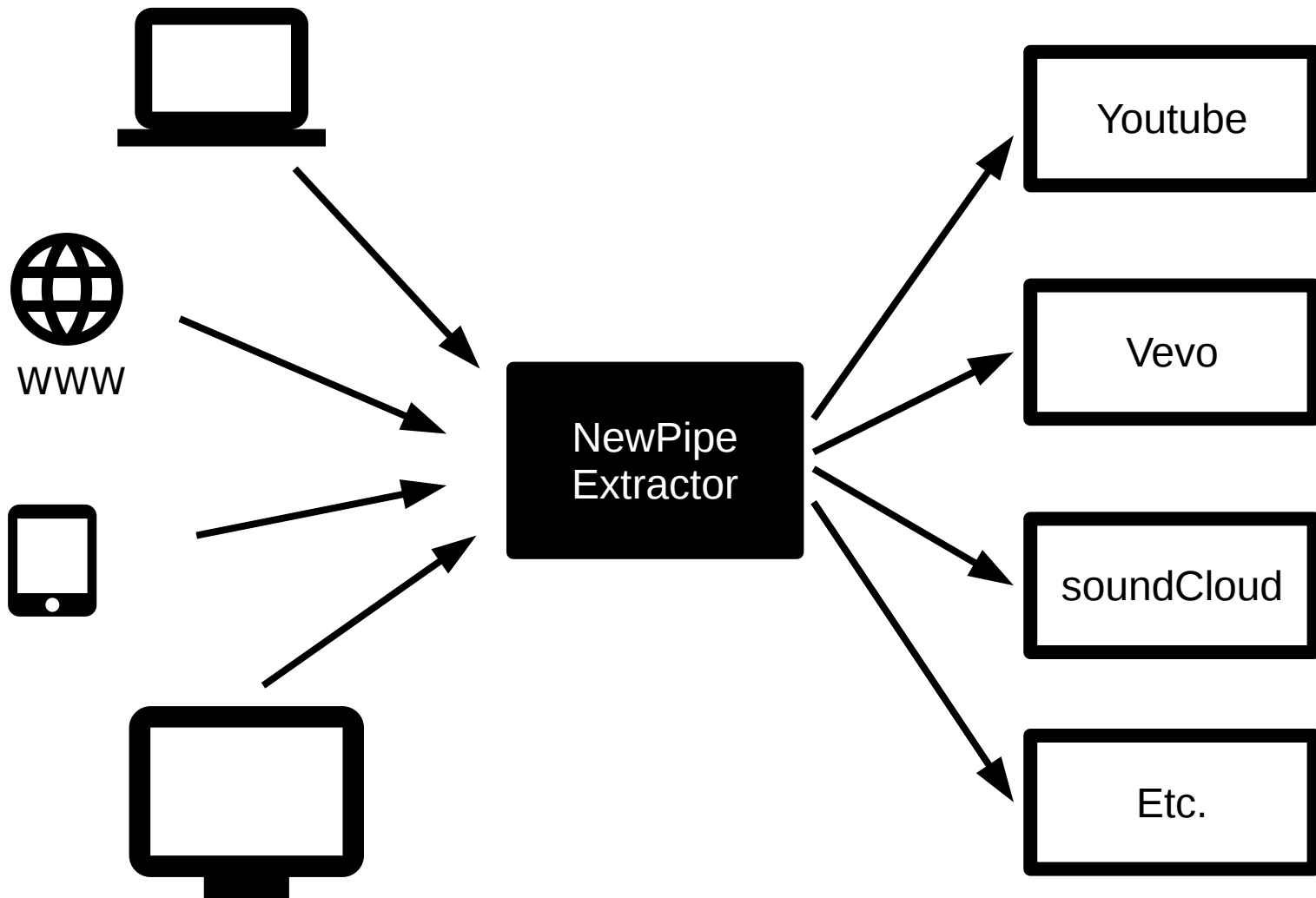
General Architecture



General Architecture



NewPipe Proxy



Roadmap



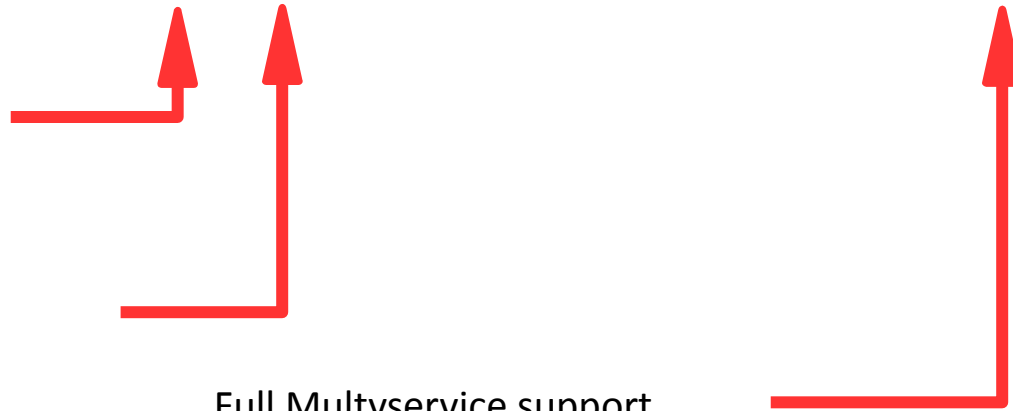
Multiple Services



We are Here

Decent YouTube Support

Full Multyservice support



Beta App after release of 1.0:



Release

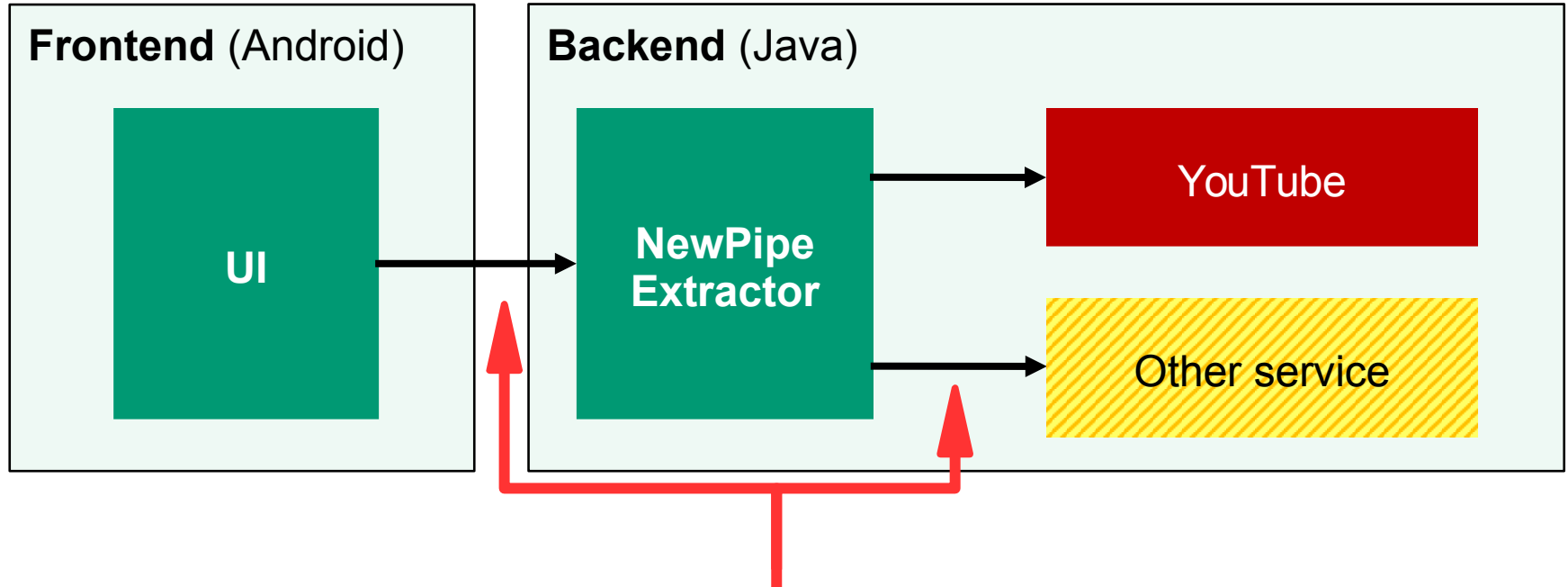
- Only Youtube support
- Focus on stability



Beta

- Multyservice support
- Contains Beta futures
- Improvements will be added to Release

Multiple Services



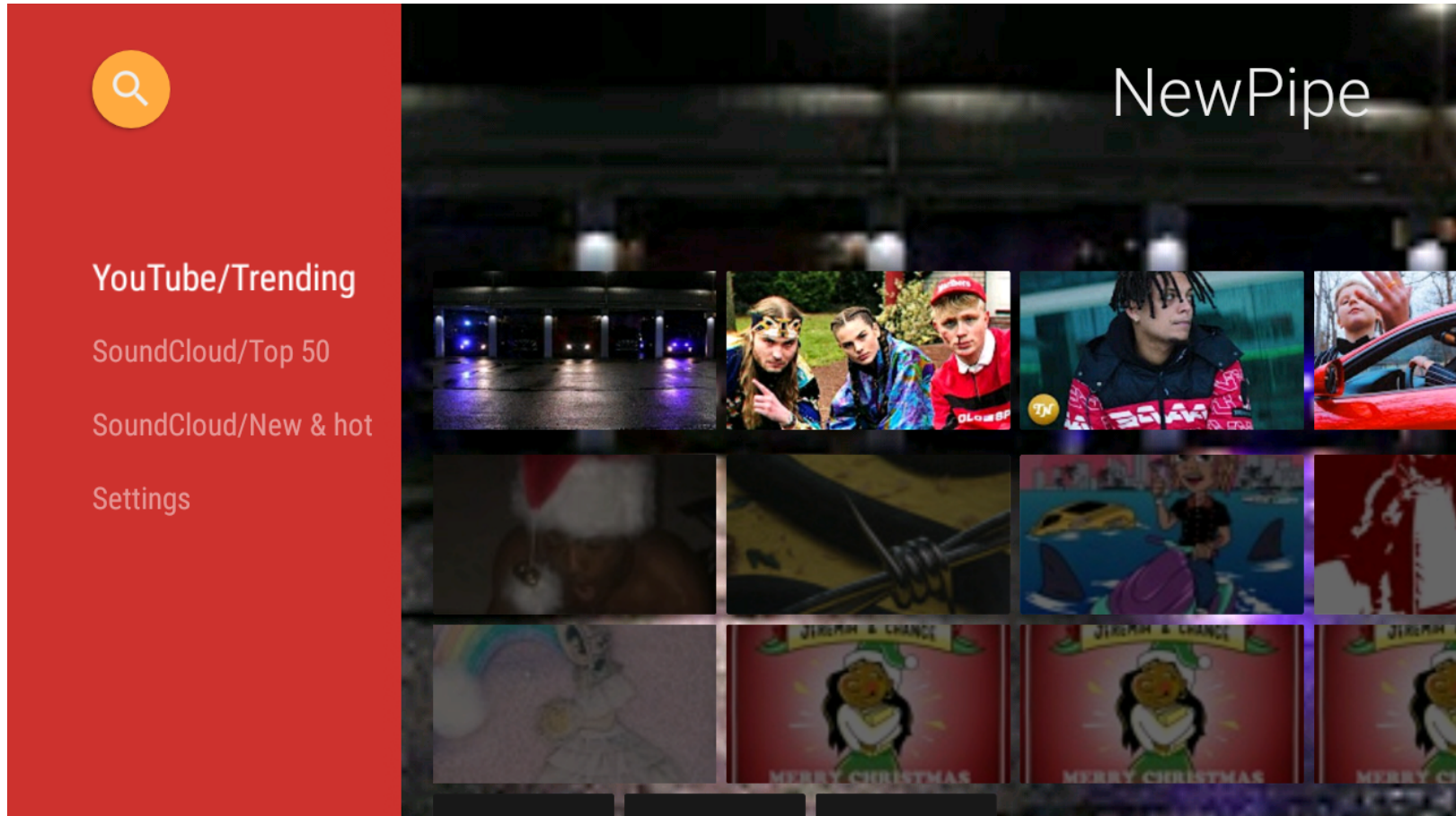
Tutorial and **Documentation** here

Additional Projects

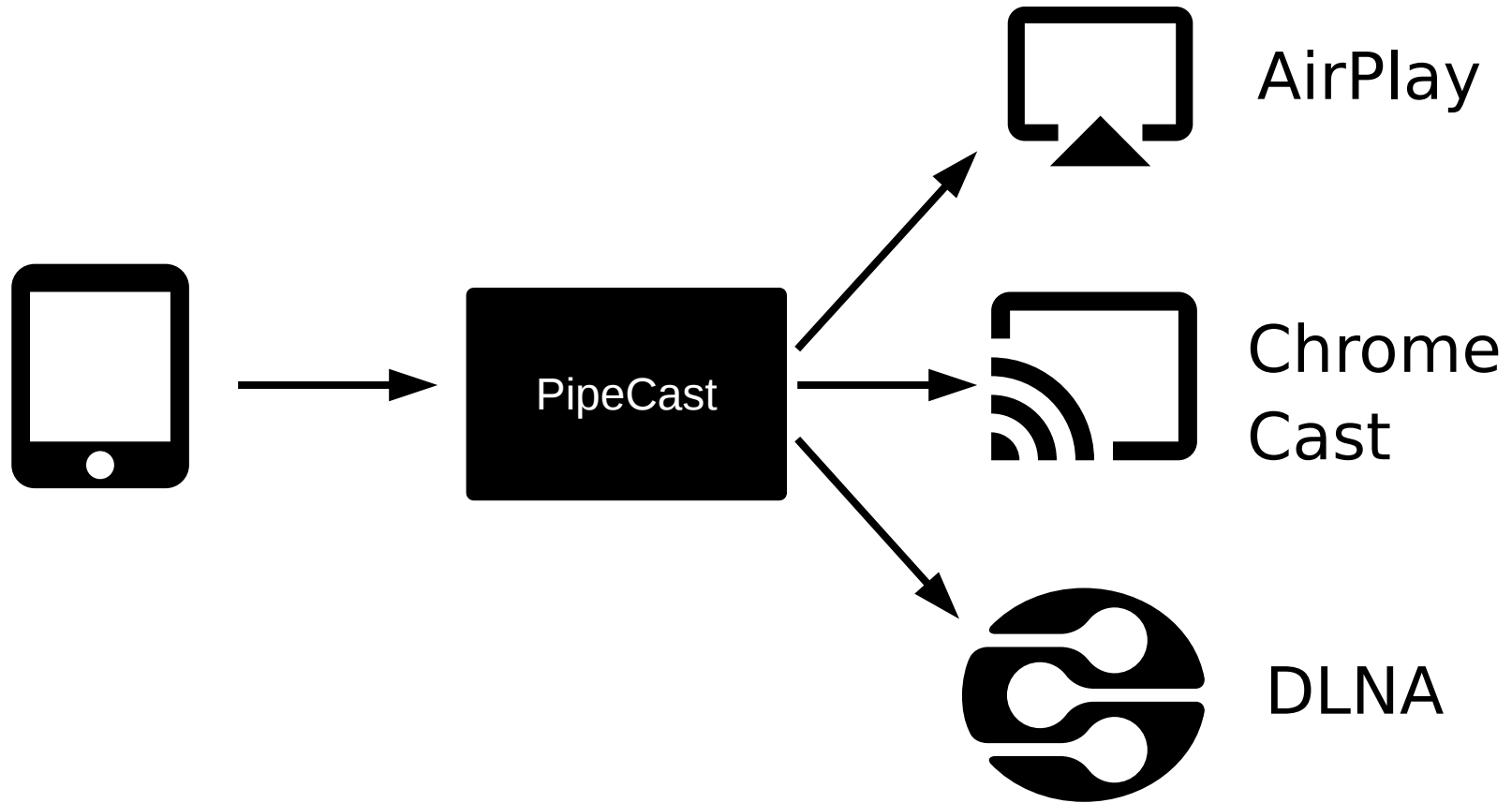


Additional Projects

NewPipe for AndroidTV / FireTV



Additional Projects



Currently in progress

- Live stream support
- Subtitle support



Currently in progress

- Live stream support
- Subtitle support

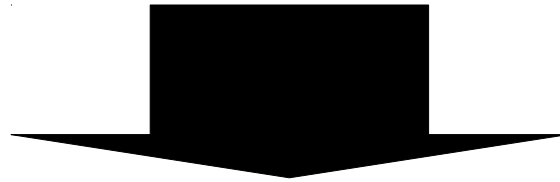
Should be done / Nice to have

- OMPL-Import
- Import/Export of subscriptions/history
- Proper feed implementation



How to Help

1. Translate using Weblate
2. Bug hunting with Sentry
3. Help documenting



Contact us

IRC: freenode.net #newpipe

Github: TeamNewPipe



Q & A

Q & A



THANK YOU FOR YOUR ATTENTION !



Acknowledgement:

Great thanks to **TheAssassin**, **TobiGr**, **wb9688**, **mauriciocolli**, **karyogamy** and **coffeemakr** for this year development.

Also of course a great thanks to the **community** that continuously contributes ;)

Contact info:

Mail: tnp@schabi.org

Github: [TeamNewPipe/NewPipe](https://github.com/TeamNewPipe/NewPipe)

Web: newpipe.schabi.org

IRC: [#newpipe @freenode.com](https://freenode.net)